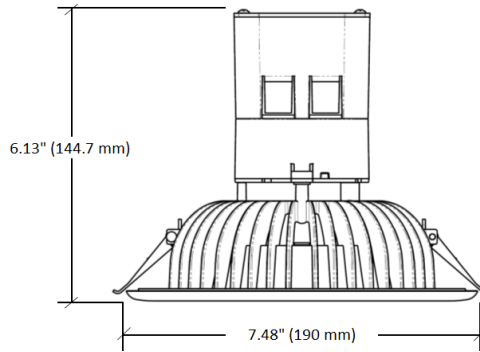




Project: Date:

Prepared by:

Comments:



FEATURES

- 5 Year Warranty
- Direct **65W** Incandescent Replacement
- **No Housing Required!!!**
- Energy Savings of up to 80%
- Lumen Maintenance over 70% @ 50,000+ Hours
- Compatible w/Most Triac Phase-Control Dimmers
- No UV/IR Radiation, No Toxic Mercury
- Die-Cast Aluminum Housing

OPTICS

- Magnetic Interchangeable Trim Rings Available
- Frosted White Lens
- Regressed Reflector
- Compatible with most 6" Housings

APPLICATIONS

- Ceiling Installations for General Ambient Lighting in Homes, Offices & Public Facilities
- Retail Store Lighting
- Museums, Galleries, Showrooms
- Hotels, Hospitality Areas
- Hospitals, Clinics, Workrooms
- Corridors, Lobbies, Stairways

CERTIFICATIONS

- cETLus Listed
- Energy Star Listed for Rebate and Tax Incentive Programs
- California Title 24 Compliant
- Rated for Wet-Locations / Airtight Rated

TRIM ORDERING OPTIONS

6" Easy-Up—13 Watts 120v (50,000 hrs)

MODEL NUMBER	KELVIN (CCT)	WATTS	LUMENS	CRI	TRIM COLOR
EV608941WH27	2700K	12.60	804	91	WHITE MAGNETIC
EV608941WH30	3000K	13.11	826	93	WHITE MAGNETIC
EV608941WH35	3500K	12.57	822	93	WHITE MAGNETIC
EV608941WH40	4000K	12.96	845	92	WHITE MAGNETIC
EV608941WH50	5000K	12.94	893	93	WHITE MAGNETIC

DIMMING COMPATIBILITY

Dimming Range: 100% - 10%

LED Trims Described Herein are Compatible with most Standard 120V Incandescent Forward Phase-Leading and 120V Electronic Low-Voltage Phase-Trailing Edge Dimmers. Dimming Range Varies with the Dimmer Control Used.

Recommended 120v Incandescent Dimmers

- Leviton IPL06-10Z
- Leviton 6674-POW

SPECIFICATIONS

Warranty	5 Years	Max. Ambient Temp:	45C	R-Value:	50	Beam Angel:	99 deg.
Expected Life	50,000 hrs	Min. Ambient Temp:	-18C	Power Factor:	>0.90	THD:	<20%



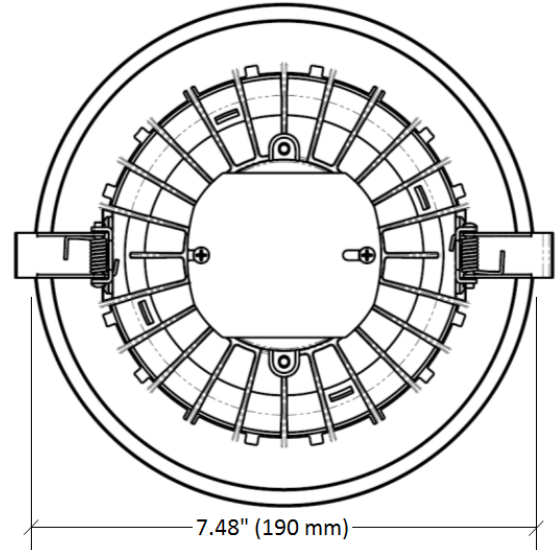
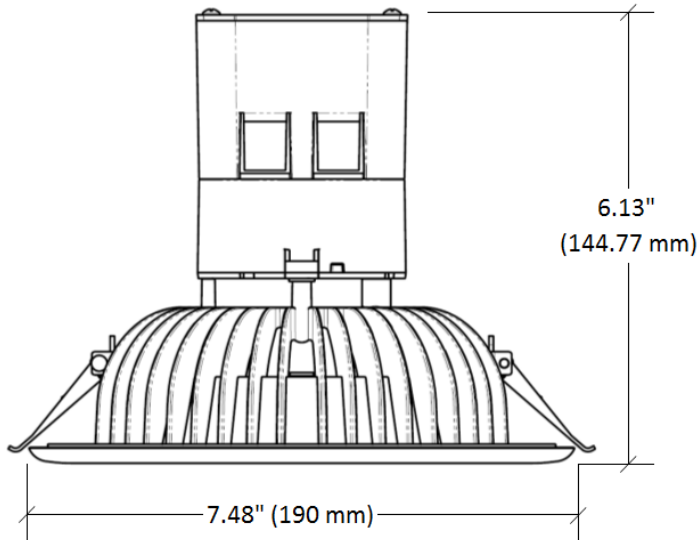


Project: Date:

Prepared by:

Comments:

DIMENSIONS



PHOTOMETRICS

Photometry

Catalog #: EV608941WH24
 Test Report N°: BTR66.181.14.0008.27
 System Wattage: 13.3 W
 Fixture Lumens: 804 lm
 Fixture Efficacy: 63.9 lm/W
 Spacing Criterion: ???

Intensity Table

Angle	cd
0	531
5	527
15	501
25	453
35	387
45	301
55	204
65	105
75	28
85	6
90	0

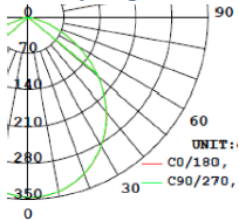
Cone of Light

Mounting Height	Beam Diameter	Center Edge	
		fc	fc
4.0	9.1	33.2	4.7
6.0	13.7	14.7	2.1
8.0	18.3	8.3	1.2
10.0	22.8	5.3	0.8
12.0	27.4	3.7	0.5
14.0	32.0	2.7	0.4
16.0	36.6	2.1	0.3

Zonal Lumens

Zone	Lumens	%Lamp
0-30	403	33%
0-40	649	53%
0-60	1077	87%
0-90	1234	100%
90-180	1	0%
0-180	1235	100%

Intensity Diagram



Coefficients of utilization

pc	80%			20%			50%		
	50%	30%	10%	50%	30%	10%	50%	30%	10%
0	119	119	119	116	116	116	111	111	111
1	106	102	99	104	101	98	100	97	94
2	94	88	83	92	87	82	89	84	80
3	84	76	70	82	75	70	79	73	68
4	75	67	60	73	66	60	71	64	59
5	67	59	53	66	58	52	64	57	52
6	61	52	46	60	52	46	58	51	46
7	55	47	41	54	47	41	53	46	41
8	51	42	37	50	42	37	49	42	37
9	47	39	33	46	38	33	45	38	33
10	43	35	30	43	35	30	42	35	30